

**Improving Learning: Developing Measures of Accountability and
Evaluating their Association with Students' Gains in Achievement in Nepal
Individual Interview: Parents Questionnaire**

A: School Information

Name of School _____

ID

--	--	--

Address _____

Ward No _____

B: Student Information

Student Name

ID

--	--	--

--	--	--

Gender

Female

Male

Age

--	--

C: Parents Information

Respondent (Parents) Name _____ Relation with Student: _____

Student ID

--	--	--

--	--	--

--	--

Gender

Female

Male

Age

--	--

D: Interview

Interview No.

--	--	--

Date _____

Interviewer's Name _____

ID

--	--	--

Parents's ID

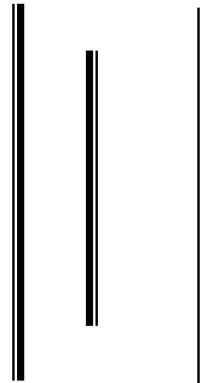
--	--	--

--	--	--

--	--

Confidential

**Institute for Social and Environmental Research
Nepal, Fulbari, Chitwan**



**Improving Learning: Developing Measures of Accountability and Evaluating
their Association with Students' Gains in Achievement in Nepal - 2019**

Individual Interview: Parents Questionnaire

For Data

--	--

Section 1: Household Information

Exact Time.....

Your son/daughter is studying grade 8 of school. You/your household is selected for our study. Therefore, I would like to collect some information about all the people who eat in the same kitchen and sleep in same house most of the time in last six month. In addition, I would also like to collect information about your family members (Except seprated son and married daughter) who are current living away and also if there is person who works as a domestic worker, do not forget to mention. Let us start from you.

S.N	Name of household member	Age	Sex: Male=0, Female=1	Marita 1 status *	Ate and slept most of time in last six month: 1=Yes; 0=No	Away Members		What is he/she Occupation (Code??)	Is he/she currently enrolled in school? (No=0, Public=1, Privat=2)	Grade he/she is currently enrolled in	Highest grade or degree he/she completed	Remarks
						Where he/she lives at present? (Place code)	Why he/she away from this HH (Code??)					
1												
2												
3												
4												
5												
6												
7												
8												
9												
10												
11												
12												
13												
14												
15												

Now, let me read to you the information I recorded. Please let me know if I have recorded any thing incorrectly or is incomplete. Also, Please tell me if any members of your household including currently living away and domestic workers are missing here.

Codes:

*Marital Status: 0=Never married, 1=Married, 2= Divorce, 3=Widow, 4= Others, 5=Living together, 6= Separated but married

Why away codes: 1 = For work, 2 = For school, 3 = Because of marriage, 4 = Other family (to care for parents, grandchildren, visiting, etc.)

Occupations: 1=Business, 2=Salary job, 3=Wage labor, 4=Student, 5=Farmer, 6=Housewife, 7=Others

Improving Learning: Developing Measures of Accountability and Evaluating their Association with Students' Gains in Achievement in Nepal - 2019

Exact Time Now.....

SECTION A: HOUSEHOLD WEALTH AND ASSETS

PA_1 People earn and manage their livelihood in different ways. In some households all family members work on a farm; in other households, some family members work on a farm, some have their own business, others work in salary jobs within Nepal and some even go to foreign countries to work. Similarly, others work as wage laborers, some have earned a pension, some have received an elderly allowance, some get interest from loans or investments, and some have sold their property or taken loans.

How are you earning / managing your household livelihood now?

Mark all that apply

1. Farming

2. Business

3. Salary Jobs

4. Go to Foreign Countries to Work

5. Wage Labor

6. Pension

7. Elderly Allowance

8. Sold Property or Take Loans

97. Other (specify).....

98. Don't know

99. Refused

PA_2 Do you or your household own land?

1. Yes

0. No → Go to PA_4

98. Don't know

99. Refused

PA_3 How much land do(es) you or your household own?

Bigha Kattha Dhur

Hall Ropani Aana

98. Don't know

99. Refused

PA_4 Is your household currently farming?

1. Yes

0. No

98. Don't know

99. Refused

PA_5 What is the ownership status of the household where you reside?

1. Own house

2. Relative owned house

3. Rented

4. Provided free of charge

5. Own house but no owner certificate

97. Other (Specify) _____

98. Don't know

99. Refused

PA_6 What is the main source of lighting for your household?

1. Electricity

2. Solar

3. Bio Gas

4. LP Gas

5. Kerosene

6. Oil

97. Other (Specify) _____

98. Don't know

99. Refused

PA_7 What is the main source of energy for cooking?

1. Electricity

2. Solar

3. Wood

4. Animal dung

5. LP Gas

6. Coal

7. Kerosene

8. Biogas

9. Straw stove

97. Others (Specify)_____

98. Don't know

99. Refused

PA_8 How long does it take to reach the nearest bus stop / road?

1. Within 15 minutes' walk

2. Within half an hour walk

3. Within one hour walk

4. More than one hour

5. More than one day of walk

98. Don't know

99. Refused

PA_9 Does your household have a television?

1. Yes

0. No

98. Don't know

99. Refused

PA_10 Does your household have a mobile phone?

1. Yes

0. No

98. Don't know

99. Refused

PA_11 Does your household have a refrigerator?

1. Yes

0. No

98. Don't know

99. Refused

PA_12 Does your household have a motorcycle or scooter?

1. Yes

0. No

98. Don't know

99. Refused

PA_13 Does your household have a car, taxi, truck, or bus?

1. Yes

0. No

98. Don't know

99. Refused

PA_14 Let us talk about animals. Does this household own any livestock, herds, other farm animals, or poultry?

1. Yes

0. No → Go to PA_16

98. Don't know

99. Refused

PA_15 How many of the following animals does this household own?

Animals	Numbers
a. Milk cows or bulls	
b. Water buffalos	
c. Horses, donkeys, or mules	
d. Goats	
e. Sheep	
f. Pigs	
g. Ducks or Chickens	
h. Poultry Farming	
i. Other (Specify if any)	

98. Don't know

99. Refused

Now I would like to ask you some questions about your family's regular access to food.

PA_16 In the past 12 months, how frequently did you worry that your household would not have enough food? You never got worried, you sometimes got worried, you often got worried or you got worried very often?

1. Never

2. Sometimes

3. Often

4. Very often

98. Don't know

99. Refused

PA_17 In the past 12 months, how often did any household member have to eat a smaller meal than they felt they needed due to lack of food?

1. Never

2. Sometimes

3. Often

4. Very often

98. Don't know

99. Refused

PA_18 In the past 12 months, how often were there days when a member of your household did not eat food due to lack of resources to get food?

1. Never

2. Sometimes

3. Often

4. Very often

98. Don't know

99. Refused

PA_19 In the past 12 months, how often were there days when (child's name....) did not eat enough food due to lack of resources to get food?

1. Never

2. Sometimes

3. Often

4. Very often

98. Don't know

99. Refused

PA_20 What is the main source of drinking water in your house?

1. Tube well

2. Boring well

3. Metered tap

4. Open well

5. Stream

6. Well and joint Motor

7. Jar water

97. Others (Specify)_____

98. Don't know

99. Refused

PA_21 Does your household have a toilet?

1. Yes

0. No → Go to PA_22

98. Don't know

99. Refused

PA_21_a Is the toilet inside or outside your house ?

1. Inside

2. Outside

3. Both

98. Don't know

99. Refused

PA_21_b Is the toilet a permanent or temporary structure?

1. Permanent

2. Temporary

98. Don't know

99. Refused

PA_21_c Since how many years does your household have toilet?

—— year

98. Don't know

99. Refused

PA_22 Did your family receive any remittances in the last 12 months?

1. Yes

0. No

98. Don't know

99. Refused

Go to PA_24

PA_23 How much money did you receive ?

Rs.

98. Don't know

99. Refused

Now we would like to ask you a few questions about your household income in the last 12 months. These questions are a bit longer, so we would like to ask you to listen carefully.

PA_24 Thinking about your total household income from all sources, including wages, salaries, pensions, income from selling crops, animals, or goods, income from renting houses, land or equipment, business income, or income from gifts or other payments.

Since(month) last year till now, would you say that the total income you received from all sources was fifty thousand rupees or less, or more than fifty thousand rupees?

1. Fifty thousand rupees or less

2. More than fifty thousand rupees → Go to PA_27

0. None → Go to PA_30

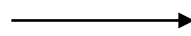
98. Don't know

99. Refused

PA_25 Since(month) last year till now, would you say that the total income you received from all sources was twenty-five thousand rupees or less, or more than twenty-five thousand rupees?

1. Twenty-five thousand rupees or less

2. More than twenty-five thousand rupees



Go to PA_30

98. Don't know

99. Refused

PA_26 Since(month) last year till now, would you say that the total income you received from all sources was ten thousand rupees or less, or more than ten thousand rupees?

1. Ten thousand rupees or less

2. More than ten thousand rupees



Go to PA_30

98. Don't know

99. Refused

PA_27 Since(month) last year till now, would you say that the total income you received from all sources was one hundred thousand rupees or less, or more than one hundred thousand rupees?

1. One hundred thousand rupees or less



Go to PA_30

2. More than one hundred thousand rupees

98. Don't know

99. Refused

PA_28 Since(month) last year till now, would you say that the total income you received from all sources was two hundred fifty thousand rupees or less, or more than two hundred fifty thousand rupees?

1. Two hundred fifty thousand rupees or less

→ Go to PA_30

2. More than two hundred fifty thousand rupees

98. Don't know

99. Refused

PA_29 Since(month) last year till now, would you say that the total income you received from all sources was five hundred thousand rupees or less, or more than five hundred thousand rupees?

1. Five hundred thousand rupees or less

2. More than five hundred thousand rupees

98. Don't know

99. Refused

PA_30 Do you or any adult in your household have any savings in banks, finance companies, cooperatives or other financial institutions?

1. Yes

0. No

98. Don't know

99. Refused

PA_31 Do you or any other adult in your household have money or assets set aside for (child's name) to attend college or other future schooling?

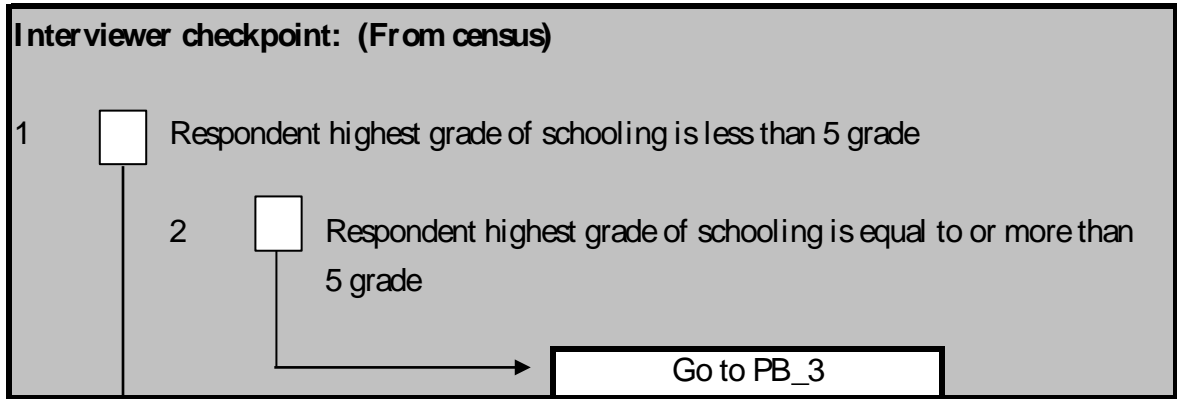
1. Yes

0. No

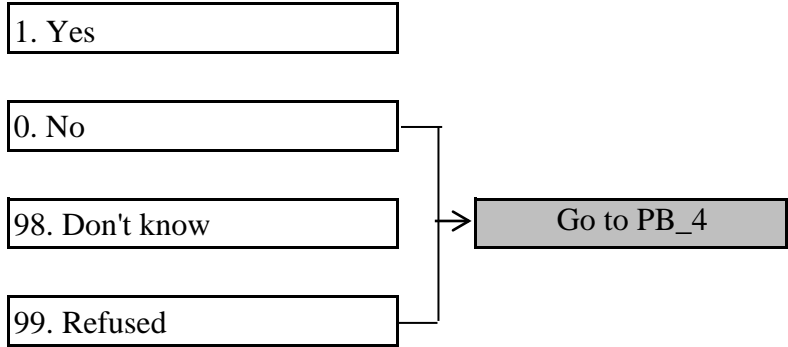
98. Don't know

99. Refused

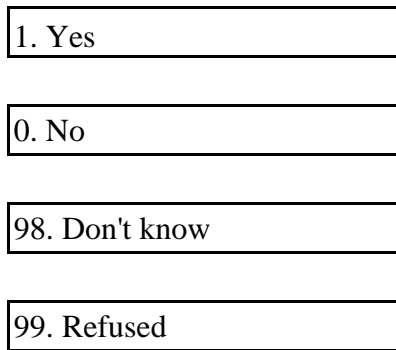
SECTION B: PARENT/GUARDIAN AND FAMILY EXPERIENCE



PB_1 Can you read a letter written in Nepali?



PB_2 Can you write a letter in Nepali?



PB_3

In the last 12 months how often did you read newspapers? Would you say that you read newspapers less than once a month, once a month, more than once a month or never?

1. Less than once a month

2. Once a month

3. More than once a month

4. Never

98. Don't know

99. Refused

PB_5 In the last 12 months how often did you watch television? Did you watch it everyday, four to five days a week, two to three days a week, or less than two to three days a week or never?

1. Everyday

2. Four to five days a week

3. Two to three days a week

4. Less than two to three days a week

5. Never

98. Don't know

99. Refused

PB_6 Have you ever used a computer?

1. Yes

0. No

98. Don't know

99. Refused

PB_7 Have you ever used email or internet?

1. Yes

0. No

98. Don't know

99. Refused

PB_8 Are you currently a member of any social, political, religious or cultural group or organization?

1. Yes

0. No

98. Don't know

99. Refused

Go to PB_10

PB_9 What groups or organizations are you currently a member of ?

For interviewer
Please mark all that apply

1. Social Service organizations

2. Developmental Service organizations

3. Political Parties

4. Mothers group/Women Group

5. Saving & Credit

6. Dhukuti Samuha

7. Not Involved

97. Other (specify)

98. Don't know

99. Refused

PB_10 Have you or any adult in your household ever opened a bank account?

1. Yes

0. No

98. Don't know

99. Refused

PB_11 Have you or any adult in your household ever had health, life, or accident insurance?

1. Yes

0. No

98. Don't know

99. Refused

PB_12 Have any members of your family or relatives ever been outside of Nepal and India?

1. Yes

0. No

98. Don't know

99. Refused

PB_13 Have any of your friends ever been outside of Nepal and India?

1. Yes

0. No

98. Don't know

99. Refused

PB_14 Have you ever worked for, or traveled or lived with any foreigner (other than Indian) for one week or more?

1. Yes

0. No

98. Don't know

99. Refused

PB_15 What is your father's caste?

_____ Caste

98. Don't know

99. Refused

SECTION C: PARENT'S EXPECTATION AND INTERACTION

Let's talk about your expectations and interaction with your child (child's name)

PC_1 In general, would you say (child's name...)'s health is excellent, very good, good, fair, or poor?

1. Excellent

2. Very good

3. Good

4. Fair

5. Poor

98. Don't know

99. Refused

PC_2 Does your child currently have any physical or mental condition that would limit or prevent his/her ability to do regular school work?

1. Yes

0. No

98. Don't know

99. Refused

PC_3 In the best of all worlds, how much schooling would you like (child's name...) to

9. Class 8

10. Class 9

11. Class 10 (SEE)

12. Class 11

13. Class 12/ IA or equivalent

14. Class BA or equivalent

15. Class MA or equivalent

16. PHD or equivalent

98. Don't know

99. Refused

PC_4

Sometimes children do not get as much education as we would like. How much schooling do you expect that (child's name...) will really complete?

9. Class 8

10. Class 9

11. Class 10 (SEE)

12. Class 11

13. Class 12/ IA or equivalent

14. Class BA or equivalent

15. Class MA or equivalent

16. PHD or equivalent

98. Don't know

99. Refused

PC_5

Who decides which school (child's name.....) goes to?

Mark all that apply.

1. Child him/herself

2. Father

3. Mother

4. Grandparent(s)

5. Siblings

6. Aunt/uncle

97. Other (specify)

98. Don't know

99. Refused

PC_6

Think about (child's name....)'s schooling, including all Montessori, pre-primary program, a day care program, or have paid tutoring lessons, how many years he/she went school?

Mark all that apply.	Number	Month/Year
1. Pre- primary/ play group		
2. Nursery		
3. LKG		
4. UKG		
5. Class 1		
6. Class 2		
7. Class 3		
8. Class 4		
9. Class 5		
10. Class 6		
11. Class 7		
12. Class 8		
98. Don't know		
99. Refused		

PC_11 Did (child's name.....) ever change her/his school?

1. Yes

0. No → Go to PC_14

98. Don't know

99. Refused

PC_12 What type of school did (child's name.....) go to before coming to this school? Was it a community/government school, a religious private school, an institutional private school, or any other type?

1. Community/government school

2. Religious private school

3. Institutional/ private school

97. Other (specify)

98. Don't know

99. Refused

PC_13 What was the reason for changing the school?

1. 8th Grade not offered

2. Change in residence

3. Eligibility for scholarship

4. Location of school

5. Fee structure

6. Quality of education

7. Sibling at new school

8. Friends at new school

9. Marriage

10. Discriminate

11. Government recognition for higher scholarship

12. Because of Earthquake

13. Because of Parent's Business/Job

14. Because of Parent's Death

15. Because of School Closed

16. Because of Student's Self Interest

17. Because of conflict of Parents

97. Other (specify)

98. Don't know

99. Refused

PC_14 Do you have to pay a fee for (child's name.....) to go to this school?

1. Yes

0. No

98. Don't know

99. Refused

PC_15 Who gives money to pay the fees of (.....child's name)'s school?

Mark all that apply.

1. Child him/herself

2. Father

3. Mother

4. Grandparent(s)

5. Siblings

6. Aunt/uncle

97. Other (specify)

98. Don't know

99. Refused

PC_16 Has (.....child's name)'s school fee been paid on time in full amount for the current school year?

1. Yes

0. No

98. Don't know

99. Refused

PC_17 Altogether how much do you think you paid for(name of Child) for the current school year or grade 8?

Rs.

98. Don't know

99. Refused

PC_18 Besides a school fee, did you or anyone else have to pay money, give a gift, or do a favor for a teacher, SMC member, school administrator or any other people to enroll your child in this school?

1. Yes

0. No

98. Don't know

99. Refused

PC_19 If the school was running last week, how many days did (.....child's name) go to school?

1. Day If 5 Days or more then → Go to PC_21

0. The school was closed last week → Go to PC_21

98. Don't know

99. Refused

PC_20 Why did (child's name) miss school last week?

1. Illness

2. Had to work at home (household chores, siblings)

3. Help in family business or work

4. Had to work on farm

5. Bad weather

6. Celebration, birthday, marriage, funeral or other ritual program

7. Didn't want to go or was feeling lazy

8. Menstruation

9. Out of home, village/town

10. Working for pay

11. Temporarily expelled from school

12. Teachers were on strike or some of my teachers were absent

97. Others (Please Specify) _____

98. Don't know

99. Refused

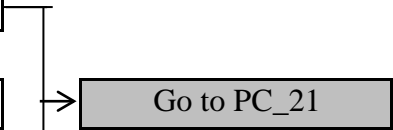
PC_21 Has (child's name...) ever repeated any grade?

1. Yes

0. No

98. Don't know

99. Refused



PC_22 Which grades has (child's name) repeated?

Mark all that apply

1. Pre-primary/ play group

2. Grade 1

3. Grade 2

4. Grade 3

5. Grade 4

6. Grade 5

7. Grade 6

8. Grade7

9. Grade 8

98. Don't know

99. Refused

PC_23 Has (child's name.....) repeated any grade more than once?

1. Yes

0. No

98. Don't know

99. Refused

PC_24 Since starting school, has (child's name) ever been enrolled in a tutoring program or other study program outside of school?

1. Yes

0. No

→ Go to PC_25

98. Don't know

99. Refused

PC_24_a How old was (child's name.....) when she/he was first enrolled in a tutoring program or other study program outside of school?

_____ Age

98. Don't know

99. Refused

PC_25 Let us talk about last 12 month. Was (child's name.....) in a tutoring program in the last 12 months?

1. Yes

0. No

→ Go to PC_31

98. Don't know

99. Refused

PC_26 During the last 12 months, how often did (child's name....) spend time being tutored?

Month

Week

Day

98. Don't know

99. Refused

PC_27 During the last 12 months, who was tutoring your child? Was it a teacher they have for that subject at school, a different teacher from their school, a teacher from a different school, someone from a tutoring institute, or someone else?

1. Subject teacher from school

2. Different teacher from their school

3. Teacher from a different school

4. Someone from a tutoring institute

97. Others (specify) _____

98. Don't know

99. Refused

PC_28 Did you or anyone from your household pay a fee for that tutoring program?

1. Yes

0. No → Go to PC_31

98. Don't know

99. Refused

PC_29 During the last 12 months, how much did it cost in total for (child's name....) to be in tutoring programs?

_____ Amount (NRS)

98. Don't know

99. Refused

PC_30 Who paid for (child's name....)'s tutoring programs? Include contributions from anyone else, such as other family members.

Mark all that apply.

1. Child him/herself

2. Father

3. Mother

4. Grandparent(s)

5. Siblings

6. Aunt/uncle

97. Other (specify)

98. Don't know

99. Refused

PC_31 Has (child's name....) ever attended a special class or school for gifted students or done advanced work in any subjects?

1. Yes

0. No

98. Don't know

99. Refused

PC_32 Has (child's name....) ever been classified by the school as needing special education?

1. Yes

0. No → Go to PC_34

98. Don't know

99. Refused

PC_33 Is he/she currently in a special education class or program?

1. Yes

0. No

98. Don't know

99. Refused

PC_34 Has (child's name....) ever been suspended or expelled from school?

1. Yes

0. No

98. Don't know

99. Refused

PC_35 In the last 12 months, please tell me how often you discussed school activities or events of particular interest with (Child's name)? Would you say never, once or twice in the past 12 months, a few times in the past 12 months, about once a week, more than once a week, or every day?

1. Never

2. Once or twice in the past 12 months

3. A few times in the past 12 months

4. About once a week

5. More than once a week

6. Every day

98. Don't know

99. Refused

PC_36

In the last 12 months, please tell me how often you discussed things (child's name....) has studied in class? Would you say never, once or twice in the past 12 months, a few times in the past 12 months, about once a week, more than once a week, or every day?

1. Never

2. Once or twice in the past 12 months

3. A few times in the past 12 months

4. About once a week

5. More than once a week

6. Every day

98. Don't know

99. Refused

PC_37 In the past 12 months, please tell me how often (Child's name.....) complained to you about their experiences in school. Would you say daily, once or twice a week, once or twice a month, rarely or never?

1. Daily

2. Once or twice a week

3. Once or twice a month

4. Rarely

5. Never

98. Don't know

99. Refused

PC_38 How often do you check that (Child's name.....) completed his/her homework?

1. Daily

2. Once or twice a week

3. Once or twice a month

4. Rarely

5. Never

98. Don't know

99. Refused

PC_39 How often do you help your child with their homework?

1. Daily

2. Once or twice a week

3. Once or twice a month

4. Rarely

5. Never

98. Don't know

99. Refused

PC_40 Does (child's name) help in household chores?

1. Yes

0. No

→ Go to PC_42

98. Don't know

99. Refused

PC_41 In the past week, about how many hours do you think (child's name...) spent doing household chores?

_____ Hours

98. Don't know

99. Refused

PC_42 What job would you like (Child's name) to have when she/he is grown up?

_____ Occupation

98. Don't know

99. Refused

PC_43 How old would you like (Child's name) to get married?

_____ Age in years

98. Don't know

99. Refused

Section D: Participation and Quality of Service Delivery

Information: Community, Parents Participation & Knowledge

PD_1 Do you know if (child's name)'s school has a school management committee or any other committee or organizational structure to oversee the management of the school?

1. Yes

0. No → Go to PD_12

98. Don't know

99. Refused

PD_2 What is name of that committee or organizational structure?

1. School Management Committee (SMC)

2. School Board

97. Other (specify)

98. Don't know

99. Refused

PD_3 How many members of the current SMC/ (name from PD_2) can you name?

Number:.....

98. Don't know

99. Refused

PD_4 Do they have their own children studying in the (name of Child's school)?

1. Yes

0. No

98. Don't know

99. Refused

PD_5 Has any adult in this household ever participated in the process of selecting members of SMC/ (name from PD_2)?

1. Yes

0. No

98. Don't know

99. Refused

PD_6 Is any adult in this household currently a member of that SMC/ (name from PD_2)?

1. Yes

0. No → Go to PD_10

98. Don't know

99. Refused

PD_7 If you or any adult in this household attended SMC / (name from PD_2) meetings over the past 12 months, how many times did they attend?

0. Never → Go to PD_10

Times:.....

98. Don't know

99. Refused

PD_8 Were you informed about the role and function of SMC / (name from PD_2) of a school?

1. Yes

0. No

98. Don't know

99. Refused

PD_9 What roles and functions does the SMC / (name from PD_2) play at school?

(Multiple answers is possible but do not read options)

1. Overall management of school

2. Hiring and firing of school teachers and other support staff

3. Monitor school finance

4. Improve quality of school

5. Mobilize resources for school

6. Monitor construction work in the school

97. Others (Specify)_____

98. Don't know

99. Refused

PD_10 Has any adult in this household ever met an SMC/ (name from PD_2) member on your own initiative to discuss the performance of the school?

1. Yes

0. No

98. Don't know

99. Refused

PD_11 Has any SMC/ (name from PD_2) member met an adult in this household on his/her own initiative to get some kind of feedback/ suggestion regarding your child's school?

1. Yes

0. No

98. Don't know

99. Refused

PD_12 During this school year, has your family received any of the following:

Mark all that apply.

1. Notes or emails specifically about this child from his/her teachers or school administrators

2. Newsletters, memos, emails, or notices addressed to all parents

3. Phone calls, handwritten notes, or emails specifically about this child from his/her teachers or school administrators

4. Have not received anything

97. Others (Specify) _____

98. Don't know

99. Refused

PD_12_a How many of your child's teachers can you name?

_____ Number

98. Don't know

99. Refused

PD_12_b What is the name of the head teacher of (child's name)'s school?

_____ Name

98. Don't know

99. Refused

PD_13 In the past 12 months, have you or another adult of your household visited, met with, or had a conference with any of (Child's name)'s teachers? If yes, how many times?

_____ Times

0. Never

98. Don't know

99. Refused

PD_14 In the past 12 months, have you or another adult of your household served as a volunteer in (child's name....)'s classroom or elsewhere in the school? If yes, how many times?

_____ Times

0. Never

98. Don't know

99. Refused

PD_15 In the past 12 months, have you or another adult of your household observed or visited your child's classroom? If yes, how many times?

_____ Times

0. Never

98. Don't know

99. Refused

PD_16 In the past 12 months, have you or another adult of your household participated in fundraising for the school? If yes, how many times?

_____ Times

0. Never

98. Don't know

99. Refused

PD_17 In the past 12 months, have you or another adult of your household helped the school or teachers make educational program or curricular decisions? If yes, how many times?

_____ Times

0. Never

98. Don't know

99. Refused

PD_18 In the past 12 months, have you or another adult of your household had a conference with (child's name)'s principle about him/her? If yes, how many times?

_____ Times

0. Never

98. Don't know

99. Refused

PD_19 In the past 12 months, have you or another adult of your household had an informal conversation with (Child's name)'s teacher? If yes, how many times?

_____ Times

0. Never

98. Don't know

99. Refused

PD_20 In the past 12 months, have you or another adult of your household attended a school event in which (child's name) participated such as a play, sporting event, or concert?

_____ Times

0. Never

98. Don't know

99. Refused

PD_21 For the following statements, please tell me if you strongly agree, agree, are neutral, or disagree or strongly disagree

This school regularly keeps me informed about how (child's name) is performing academically.

1. Strongly Agree

2. Agree

3. Neutral

4. Disagree

5. Strong Disagree

98. Don't know

99. Refused

PD_22 If a class is too difficult or too easy for (child's name), I can work with teachers or administrators at the school to adapt the curriculum to better fit (child's name)'s abilities.

1. Strongly Agree

2. Agree

3. Neutral

4. Disagree

5. Strong Disagree

98. Don't know

99. Refused

PD_23 If I am unhappy about (child's name)'s experience in school, I know what I can do to make it better.

1. Strongly Agree

2. Agree

3. Neutral

4. Disagree

5. Strong Disagree

98. Don't know

99. Refused

PD_24 If I am unhappy about my child's experience in school, I have no power to make it better.

1. Strongly Agree

2. Agree

3. Neutral

4. Disagree

5. Strong Disagree

98. Don't know

99. Refused

PD_25 If I am unhappy about (child's name.....)'s experience in school, I have to know a friend or family member who works in the school to make a change for my child.

1. Strongly Agree

2. Agree

3. Neutral

4. Disagree

5. Strong Disagree

98. Don't know

99. Refused

PD_26 If I am unhappy about (child's name)'s experience in school, I have to offer money, gifts, or favors to someone who works in the school to make a change for (child's name).

1. Strongly Agree

2. Agree

3. Neutral

4. Disagree

5. Strong Disagree

98. Don't know

99. Refused

PD_27 I work with local political party members on issues that affect (child's name)'s school or education.

1. Strongly Agree

2. Agree

3. Neutral

4. Disagree

5. Strong Disagree

98. Don't know

99. Refused

PD_28 Political parties or party members have more influence to change something about my child's school/education than I do.

1. Strongly Agree

2. Agree

3. Neutral

4. Disagree

5. Strong Disagree

98. Don't know

99. Refused

PD_29 In the last 12 months, how often, if ever, did you have to pay a bribe, give a gift, or do a favor for a teacher or school official in order to get the services you needed from them? Would you say never, once or twice, a few times, often, or you don't know?

0. Never

1. Once or twice

2. A few times

3. Often

98. Don't know

99. Refused

Delegation: Recruitment, Workrules, Training

PD_30 Do you know how members were selected to the SMC/ (name from PD_2)? If yes, how?

1. Through election

2. Directly appointed by government officers

3. Direct political appointment

4. Direct nomination by HT

5. With consensus, unanimously

6. Reputed member

98. Don't know

99. Refused

PD_31 How was the (Child's name.....)'s school SMC / (name from PD_2) chairperson selected?

1. Through general consensus of guardian

2. Through election

3. Nominated by government/education office

97. Other (Specify)_____

98. Don't know

99. Refused

PD_32 How much political interference is there in the formation of SMC/ (name from PD_2)?

1. Too much

2. Quite a bit

3. Not much

98. Don't know

99. Refused

PD_33 How are teachers recruited in this school?

1. Through selection by SMC / (name from PD_2)

2. Directly appointed by government

3. Direct political appointment

4. Direct nomination by HT

5. With consensus

6. Selected by the Teacher's Service Commission

97. Others (Specify)_____

98. Don't know

99. Refused

PD_34 How much political inference is there in the recruitment of teachers at your child's

1. Too much

2. Quite a bit

3. Not much

98. Don't know

99. Refused

PD_35 For the following statements, please tell me if you strongly agree, agree, are neutral, disagree or strongly disagree.

(Child's name) school has enough teachers

1. Strongly Agree

2. Agree

3. Neutral

4. Disagree

5. Strong Disagree

98. Don't know

99. Refused

PD_36 When (Child's name)'s school hires new teachers, I have a say in which teachers they hire.

1. Strongly Agree

2. Agree

3. Neutral

4. Disagree

5. Strong Disagree

98. Don't know

99. Refused

PD_37 The teachers in (child's name)'s school are well trained and experienced.

1. Strongly Agree

2. Agree

3. Neutral

4. Disagree

5. Strong Disagree

98. Don't know

99. Refused

PD_38 The hiring process at (child's name)'s school is fair. It is based on the qualifications and experience of the applicants.

1. Strongly Agree

2. Agree

3. Neutral

4. Disagree

5. Strong Disagree

98. Don't know

99. Refused

PD_39 Do (child's name)'s teachers come to school on time? Would you say all the time, most of the time, sometimes, or never?

1. Yes, all the time

2. Yes, most of the time

3. Sometimes

0. No, never

98. Don't know

99. Refused

PD_40 Are classes at (child's name)'s school taught by respective subject teachers?

1. Yes

0. No

98. Don't know

99. Refused

Performance: Instructional Quality, Achievement, Satisfaction

PD_41 How would you rate the quality of education at (child's name...)'s school?

1. Very good

2. Good

3. Neither good nor bad

4. Bad

98. Don't know

99. Refused

PD_42 Have you observed any improvements in the overall performance at (Child's name)'s school (School name.....) within the last two years?

1. Yes

0. No → Go to PD_44

98. Don't know

99. Refused

PD_43 What improvement have you observed in the overall performance at (Child's name)'s school (school name.....) within the last two years which you would like to mention?

(Mark all that apply)

1. Improvement of teaching and learning environment at school

2. Improved physical facilities

3. Hiring quality teachers

4. Firing bad teachers

5. Starting English as medium of instruction

6. Was able to get a good support from local people to improve the overall quality of school

97. Others (Specify)_____

98. Don't know

99. Refused

PD_44 How would you rate the overall quality of the building and physical facilities at their school? For example, the classrooms, library, computer lab, bathrooms, and cafeteria? Would you say poor, fair, good, or excellent?

1. Poor

2. Fair

3. Good

4. Excellent

98. Don't know

99. Refused

PD_45 For the following statements, please tell me if you strongly agree, agree, are neutral, disagree or strongly disagree

I believe (Child's name) is challenged by the school academic curriculum

1. Strongly Agree

2. Agree

3. Neutral

4. Disagree

5. Strong Disagree

98. Don't know

99. Refused

PD_46 (Child's name)'s teachers are committed to their student's education.

1. Strongly Agree

2. Agree

3. Neutral

4. Disagree

5. Strong Disagree

98. Don't know

99. Refused

PD_47 (Child's name)'s school has adequate learning materials like textbooks, workbooks, and writing utensils for my child.

1. Strongly Agree

2. Agree

3. Neutral

4. Disagree

5. Strong Disagree

98. Don't know

99. Refused

PD_48 (Child's name)'s classes help prepare him/her for the next academic year.

1. Strongly Agree

2. Agree

3. Neutral

4. Disagree

5. Strong Disagree

98. Don't know

99. Refused

PD_49 I am satisfied with (Child's name)'s performance in school.

1. Strongly Agree

2. Agree

3. Neutral

4. Disagree

5. Strong Disagree

98. Don't know

99. Refused

PD_50 The principal or head teacher of (Child's name)'s school is an effective leader.

1. Strongly Agree

2. Agree

3. Neutral

4. Disagree

5. Strong Disagree

98. Don't know

99. Refused

PD_51 (Child's name)'s teachers are effective; they help (Child's name) learn and understand how to help them improve.

1. Strongly Agree

2. Agree

3. Neutral

4. Disagree

5. Strong Disagree

98. Don't know

99. Refused

PD_52 (Child's name)'s school has high expectations and standards for students.

1. Strongly Agree

2. Agree

3. Neutral

4. Disagree

5. Strong Disagree

98. Don't know

99. Refused

PD_53 (Child's name)'s school emphasizes educational content more than test preparation.

1. Strongly Agree

2. Agree

3. Neutral

4. Disagree

5. Strong Disagree

98. Don't know

99. Refused

PD_54 (Child's name....)'s class sizes are appropriate. There aren't too many or too few students in one class.

1. Strongly Agree

2. Agree

3. Neutral

4. Disagree

5. Strong Disagree

98. Don't know

99. Refused

PD_55 The discipline approach of (Child's name)'s teachers is appropriate and fair.

1. Strongly Agree

2. Agree

3. Neutral

4. Disagree

5. Strong Disagree

98. Don't know

99. Refused

PD_56 (Child's name)'s school is a friendly environment for students, parents, and

1. Strongly Agree

2. Agree

3. Neutral

4. Disagree

5. Strong Disagree

98. Don't know

99. Refused

PD_57 (Child's name)'s school is a safe place to learn.

1. Strongly Agree

2. Agree

3. Neutral

4. Disagree

5. Strong Disagree

98. Don't know

99. Refused

PD_58 (Child's name) enjoys going to school everyday.

1. Strongly Agree

2. Agree

3. Neutral

4. Disagree

5. Strong Disagree

98. Don't know

99. Refused

Enforcement: Compliance monitoring, recordkeeping

PD_59 Is teacher absenteeism a problem at (child's name.....)'s school?

1. Yes

0. No → Go to PD_62

98. Don't know

99. Refused

PD_60 If teacher absenteeism is a problem, how is the school management committee/
..... (name from PD_2) trying to address it?

1. Strengthening monitoring system

2. Taking action against absent teacher

3. Asking DEO to transfer absent teacher

4. No action

97. Other (Specify) _____

98. Don't know

99. Refused

PD_61 Has (child's name.....)'s school ever been closed due to absence of teachers?

1. Yes

0. No

98. Don't know

99. Refused

PD_62 Who monitors/observes educational and physical aspects of (child's name.....)'s school?

(Mark all that apply)

1. Resource Person

2. School Inspector/GON Authority

3. SMC

4. Parents

5. No one

97. Other (Specify) _____

98. Don't know

99. Refused

PD_63 In the past 12 months, how often did they visit (child's name.....)'s school for monitoring purposes? Would you say never, once or twice in the past 12 months, a few times in the past 12 months, about once a month, more than once a month, or at least once every week?

1. Never →

2. Once or twice in the past 12 months

3. A few times in the past 12 months

4. About once a month

5. More than once a month

6. At least once every week

98. Do not know

99. Refused

PD_64 Are the monitoring visits effective? That is, do the monitoring visits help make the school run properly?

1. Yes

0. No

98. Don't know

99. Refused

PD_65 To your knowledge, were there any political activities conducted in (child's name)'s school during the last twelve months? Political activities could be any event sponsored or organized by a political party or a political organization

1. Yes

0. No

98. Don't know

98. Refused

PD_66 What are the major areas where political parties have influence in (child's name.....)'s school?

Mark all that apply.

1. Election of SMC/(name from PD_2)

2. Election/formation of parent teacher association

3. Formation and mobilization of child/student club

4. Teacher selection and recruitment

5. Budget allocation of school

6. Scholarship recommendation and selection

7. Political parties don't have influence his/her school

97. Others (specify) _____

98. Don't know

99. Refused

PD_67 How frequently do teachers participate in local political activities instead of teaching their lesson? Rate your response in a scale of 0-10.

(Choose 10 if the teachers participate in political activities frequently, 5 if participate sometimes and 0 for none. Circle appropriate number as per response, you can choose appropriate number from 0 to 10)

0	1	2	3	4	5	6	7	8	9	10
---	---	---	---	---	---	---	---	---	---	----

98. Don't know

99. Refused

Finance: Budget, Allocation, disbursement,leakage

PD_68 In the last 3 years, have you provided (Child's name.....)'s school with any support?

1. Yes

0. No	→	Go to PD_71
-------	---	-------------

98. Don't know

99. Refused

PD_69 In which way did you support (Child's name)'s school, was it voluntary labor, cash donation, or donation in kind such as grain, land, or other materials

(Mark all that apply)

1. Voluntary labor

2. Cash donation

3. Donation in kind

97. Other (specify)

98. Don't know

99. Refused

PD_70 Altogether how much do you think your donation was in term of monitory value ?

Rs. _____

98. Don't know

99. Refused

PD_71 Has there been any new construction work in (child's name...)'s school during the last three

1. Yes

0. No

98. Don't know

99. Refused

→ Go to PD_74

PD_72 If yes, how do you rate the quality of work?

1. Very good

2. Good

3. Poor

98. Don't know

99. Refused

PD_73 Was the fund available for construction properly utilized?

1. Yes, properly

2. Not properly

3. Lot of hanky/panky

98. Don't know

99. Refused

PD_74 How informed are you about (child's name.....)'s school budget?

1. Very informed

2. Informed

3. Not informed at all

98. Don't know

99. Refused

PD_75 Is (child's name.....)'s school budget made public every year?

1. Yes, every year

2. Some years

3. Seldom

4. Never

98. Don't know

99. Refused

PD_76 In the last 3 years, has (child's name.....)'s school ever had to temporarily shut down or close due to lack of funding?

1. Yes

0. No

→ Go to PD_78

98. Don't know

99. Refused

PD_77 If yes, how many times in the last three years has the school closed due to lack of

_____Times

98. Don't know

99. Refused

PD_78 Are the teachers at (child's name.....)'s school paid on time? Would you say they are paid on time all the time, most of the time, sometimes, or never?

1. Yes, all the time

2. Yes, most of the time

3. Sometimes

0. No

98. Don't know

99. Refused

PD_79 In the last 3 years, have teachers at (child's name.....)'s school gone on strike?

1. Yes

0. No

→ Go to PD_81

98. Don't know

99. Refused

PD_80 How many times have teachers gone on strike in the last 3 years?

_____ Number

98. Don't know

99. Refused

PD_81 For the following statement, please tell me if you strongly agree, agree, are neutral, disagree or strongly disagree:

The financial business at (child's name.....)'s school is handled properly.

1. Strongly Agree

2. Agree

3. Neutral

4. Disagree

5. Strong Disagree

98. Don't know

99. Refused

PD_82 Have you or any other adult in this household ever participated in social auditing or oversight of (child's name.....)'s school's budget and finances?

1. Yes

0. No

98. Don't know

99. Refused

PD_83 Has the school ever asked parents to participate in social auditing or oversight of (child's name.....)'s school's budget and finances?

1. Yes

0. No

98. Don't know

99. Refused

PD_84 In the last 12 months has the (child's name.....)'s school ever arranged parent meeting? If yes, how many times?

_____ Number

0. Never

98. Don't know

99. Refused

Thank you very much for your time and cooperation!

Thank You

Exact Time Now.....

SECTION E: Interviewer's Observation

Exact Time Now.....

PE_1 In what kind of house does the respondent live?

1. Single-family house

2. Multi-family house

PE_2 How many stories are there in the house in which the respondent lives?

1. One story

2. Two stories

3. Three stories

4. Four stories

5. Five or more

PE_3 Of what materials are the walls of the respondent's house made?

1. Brick

2. Cement/concrete

3. Cane wood/ mud

4. Stone

5. Wood shakes

6. Mud

97. Other, Specify _____

PE_4 Of what materials is the roof of the respondent's house

1. Tin

2. Thatch

3. Thatch stick

4. Stone/slate

5. Wooden plank

6. Plastic

7. Concrete

97. Other, Specify _____

PE_5 Of what materials is the floor of the respondent's house

1. Mud

2. Wood

3. Concrete/cement

4. Brick

97. Other, Specify _____

PE_6 Respondent's understanding of the questions was:

1. Poor

2. Acceptable

3. Good

4. Excellent

PE_7 Respondent's ability to articulate answers was:

1. Poor

2. Acceptable

3. Good

4. Excellent

PE_8 How would you describe the respondent's vocabulary (the variety of words the respondent used to describe her thoughts)?

1. Below average

2. Average

3. Above average

PE_9 Does the respondent have any other visible disabilities?

1. Yes

0. No

PE_10 Was a third person present during any portion of the interview—not just walking through the area where the interview was being administered, but listening to or taking part in the interview process?

1. Yes

0. No

PE_11 Where was the interview conducted?

1. Inside respondent's house

2. Immediately outside respondent's house

3. At another location

PE_12 Are all visible rooms of the house/apartment dirty or not reasonably clean? (Examples: trash strewn around, dirty dishes in kitchen, floor and furniture have not been cleaned or dusted fairly recently)

1. Yes

0. No

9. Not observed

PE_13 Are all visible rooms of the house/apartment noticeably cluttered? (Examples: visible rooms are messy or are cluttered with clothes, vacuum cleaner, children's schoolwork, shoes and socks, other objects)

1. Yes

0. No

9. Not observed

PE_14 Is inside of home crowded? (Examples: Many people living in a very small house or apartment, difficult to find a private place to interview respondent, frequent interruptions and people bumping into each other)

1. Yes

0. No

9. Not observed

PE_15 Did you see a television inside the home?

1. Yes

0. No

9. Not observed

PE_16 Did you see a radio inside the home?

1. Yes

0. No

9. Not observed

PE_17 Did you see a computer inside the home?

1. Yes

0. No

9. Not observed

PE_18 Did you see a telephone inside the home?

1. Yes

0. No

9. Not observed

PE_19 Did you see a bicycle?

1. Yes

0. No

9. Not observed

PE_20 Did you see a motorcycle?

1. Yes

0. No

9. Not observed

PE_21 Did you see a car ?

1. Yes

0. No

9. Not observed

PE_22 Did you see a tractor?

1. Yes

0. No

9. Not observed

PE_23 Did you see a pumpset for irrigation?

1. Yes

0. No

9. Not observed

PE_24 Did you see a gobar gas plant?

1. Yes

0. No

9. Not observed

PE_25 Did you see a thresher, chaff cutter, sprayer, corn sheller, or any other kind of farm tool?

1. Yes

0. No

9. Not observed

PE_26 Did you see a drinking water source, such as a tap or well?

1. Yes

0. No

9. Not observed

PE_27 Did you see a toilet?

1. Yes

0. No

9. Not observed

PE_28 Does the housing unit have any obvious problems that are in need of repair? (e.g. cracks or holes in walls, ceiling, or floor; broken plaster; peeling paint; exposed wires; broken or cracked windows)

1. Yes

0. No

9. Not observed

PE_29 How well kept are most of the buildings on the street?

1. Very well kept

2. Fairly well kept

3. Poorly kept

4. Very poorly kept

5. Not applicable

PE_30 Is there garbage, litter, or broken glass in the street or road, on the sidewalks, or in yards?

1. Almost none

2. But not a lot

3. Quite a bit

4. Almost everywhere

Exact Time Now.....

Interviewer Experience



Call Record

Description	First Time	Second Time	Third Time	Remarks
Date				
Name of Interviewer				
Final Result*				
Time				
Date for Next Visit				

* 1. Complete	2. No one at home	3. Partially complete
4. Refusal	5. House vacant	6. Address not available
7. Others (Specify).....		